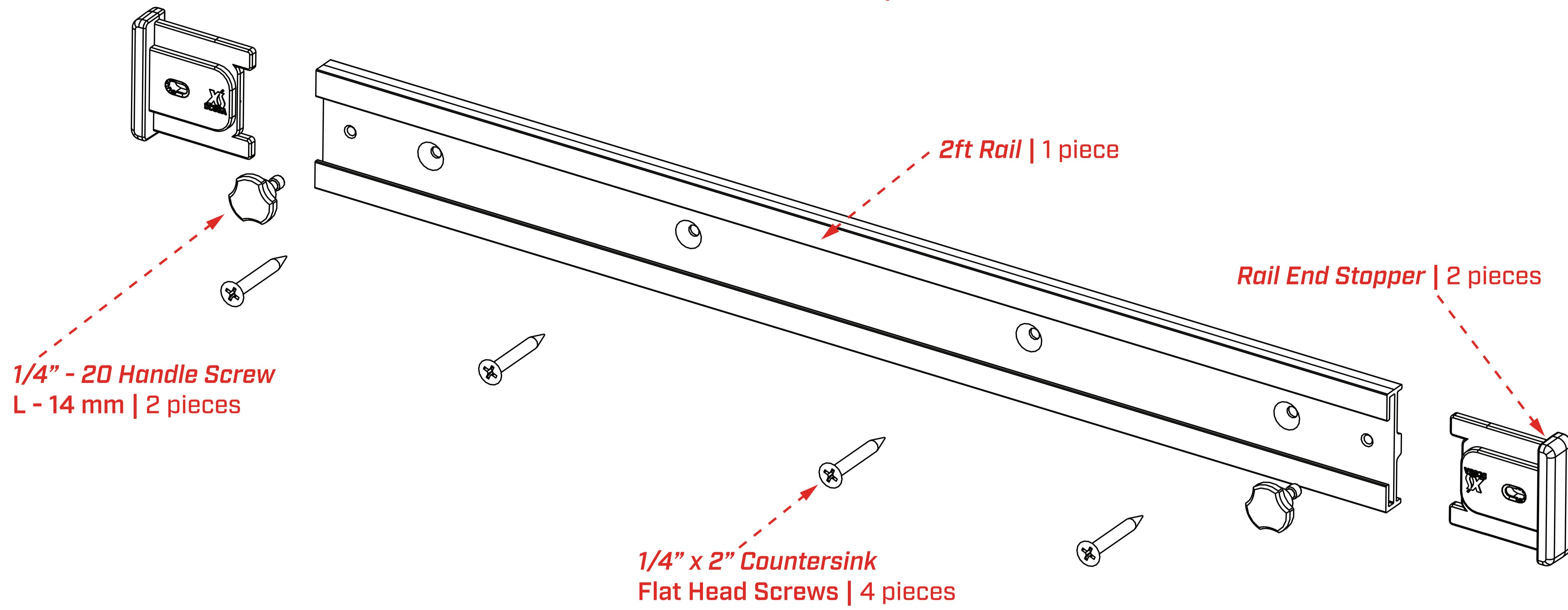
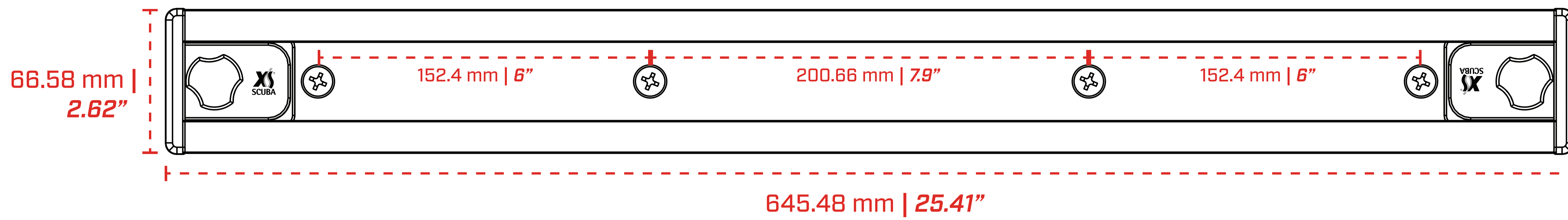
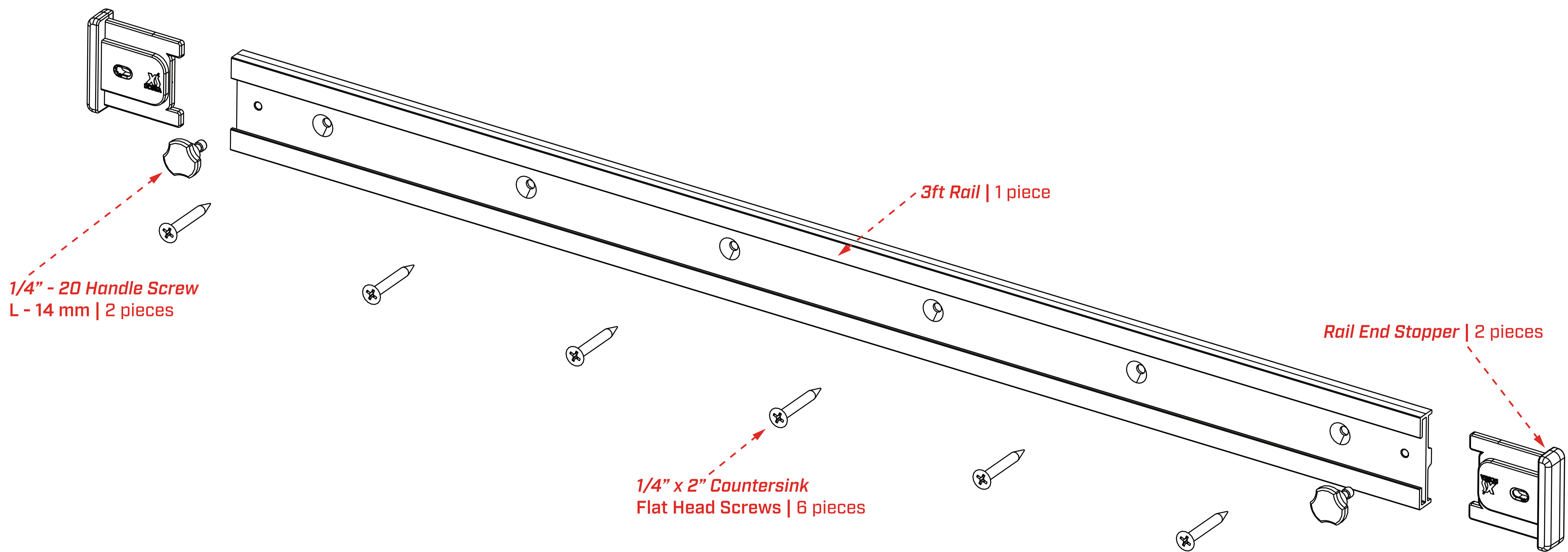
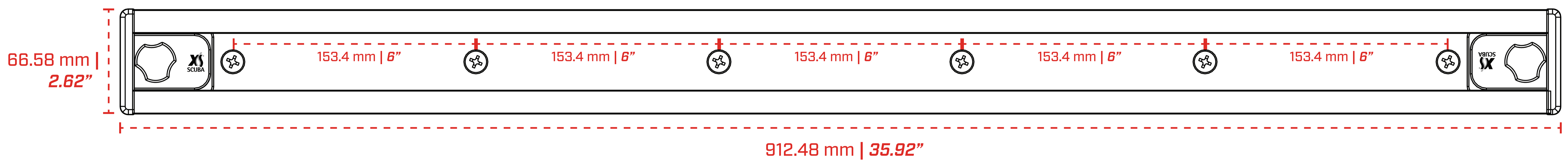


# TANK RAIL KIT SYSTEM

## TR220 - Two Foot Rail (Holds Two Cylinders)



## TR200 - Three Foot Rail (Holds Three Cylinders)



## TR120 - Tank Holder (Holds Single Cylinder)

